



TOILET PHENOLIC TECHNICAL DATA



A. PRODUCTS

A1: COMPACMEL PLUS, MADE IN SPAIN

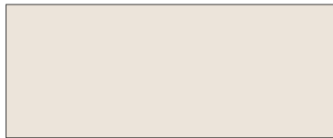
1. STANDARD COLORS



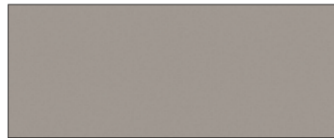
78E_WHITE SR209



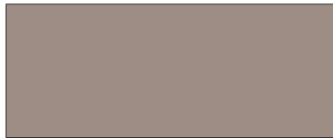
15R_GRIS COCO



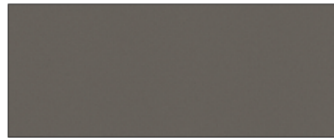
183_CREMA 005



11R_VISON CHIC



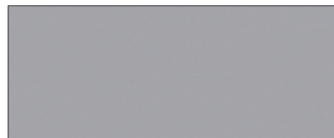
01Q_GRIS TORTORA



53S_MOKA CHIC



U12_NATURAL GREY



72E_ALUMINIO AROSA



71A_GRIS GU



231_NEGRO



172_ROJO



139_AZUL EO



22G_AMARILLO SOL



54C_VERDE NATURAL

2. THICKNESS : 12MM , 19MM

LEED CREDITS: SUSTAINABLE CONSTRUCTION

Our products offer LEED credits in the following areas:

- Recycled content
- Regional materials
- Rapidly renewable materials
- Certified wood
- Low-emission materials

CERTIFICATIONS: WOOD FROM SUSTAINABLE FORESTS

The Chain of Custody certifies the route of the raw materials from the forest to the consumer / customer, including all stages of the process; i.e., it warrants that the products purchased are made with materials from sustainably managed forests.

This warranty through PEFC and FSC[®] certificates, includes the production and marketing of wood-based products.



The mark of
responsible forestry



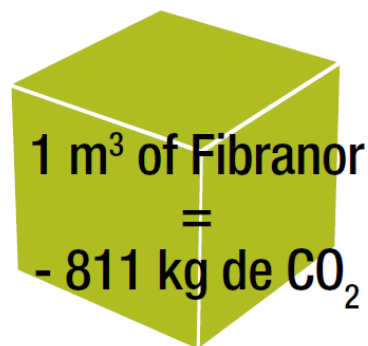
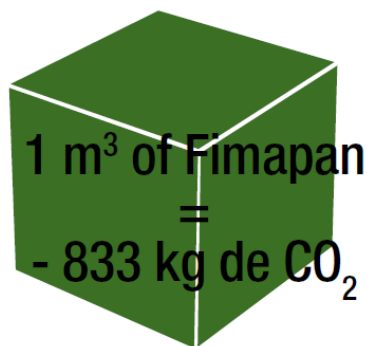


TRANSPARENCY: ECOLOGICAL PRODUCT FOOTPRINT

In 2011, FINSA became the first technical wood manufacturer on the Iberian Peninsula providing the Environmental Product Declaration (EPD) for its products.

The EPD is a tool for conveying clear, transparent information on the impact of a given product upon the environment during every stage of its life cycle.

In the case of our products, it confirms that wood is a material that keeps capturing greenhouse gases throughout our entire production process.



MAIN ADVANTAGES



ENVIRONMENTALLY FRIENDLY: SUSTAINABLE, 100% RECYCLABLE MATERIAL.

E1: LOW FORMALDEHYDE CONTENT



EXCELLENT MECHANICAL PROPERTIES (BENDING STRENGTH, INTERNAL BOND, RESISTANCE TO IMPACT,...) AND DIMENSIONAL STABILITY



HIGH RESISTANCE TO MOISTURE (EXCEEDS THE V313 AND V100 TEST REQUIREMENTS)



COMPETITIVE COST
LOW TOOL WEAR



WIDE RANGE OF DECORS
VERSATILE DESIGN



EASY MACHINE WORK (CUTTING AND DRILLING) AND INSTALLATION.

STANDARD TOOLS AND HARDWARE



CERTIFIED ANTIBACTERIAL SURFACE



FIRE-RETARDANT QUALITY AVAILABLE

ANTIBACTERIAL CERTIFICATION



CERTIFICATION

IMSL
INDUSTRIAL MICROBIOLOGICAL SERVICES LTD

The CompacMel Plus surface has been certified by an external laboratory, the IMSL (Industrial Microbiological Services) in the UK, following the procedures outlined by ISO 22196: 2011, which confirms that the performance of CompacMel Plus inhibits the growth and development of bacteria, without affecting its coating features.

Tested with the following bacteria:

- *S. aureus*, which can produce a large variety of diseases, ranging from skin and mucous infections, to life-threatening diseases such as meningitis, pneumonia, etc.
- *E. coli*, which can cause diarrhea and serious intestinal issues.

ANALYSIS CERTIFICATE

CERTIFICATE NO. 1023308.1E-1

IMSL
Industrial Microbiological Services (UK)
www.imsl-uk.com

Method: Calculation of antibacterial activity by using ISO 22196: 2011

RESULTS (AS CFU CM-2)

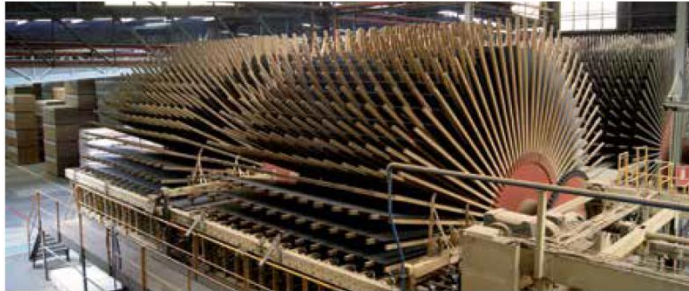
SAMPLE

		CONTACT	TIME	REDUCTION	LOG % DIFFERENCE
COMPACMEL PLUS	<i>E. Coli</i>	1.7E+04	≤ 1.0	≥ 4.2	> 99.99%
	<i>S. aureus</i>	2.0E+04	≤ 1.0	≥ 4.3	> 99.99%

The above data show the difference between the initial and final bacterial populations after contact with sample surfaces, referenced for 24 hours at 35 °C, at a relative humidity of 95%.

TECHNICAL CERTIFICATIONS:

 **AIDIMA**
INSTITUTO TECNOLÓGICO
MUEBLE, MADERA, EMBALAJE Y AFINES



CERTIFICATION

AIDIMA, the Technological Furniture, Wood, Packaging and Similar Products Institute, is a non-profit organization established in 1984, equipped with one of the best Technological Institutes in Europe. A complete characterization of CompacMel Plus has been conducted at their laboratories, assessing both the support as well as the coating properties.

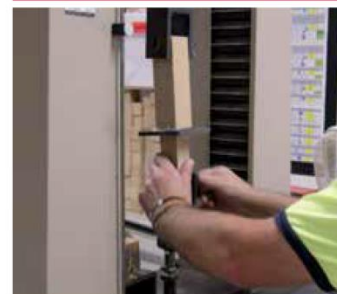
"The tested product CompacMel Plus meets the requirements of the following standards, which apply to kitchen and bathroom furniture":

- UNE 56 842
- UNE 56 843
- UNE 56 867
- UNE 56 868
- ISO 19712-1



THERMAL CONDUCTIVITY

Thanks to the good thermal conductivity values achieved, CompacMel Plus is a perfect product for wall cladding, as it substantially improves thermal insulation, and thus reduces energy consumption.



TECHNICAL DETAILS

TECHNICAL DATA SHEETS

COMPAC PLUS

DOWNLOAD
THE COMPLETE
TECHNICAL DATA SHEET



TEST	PROPERTY	THICKNESS (mm)	UNITS
		12 - 19	
EN 323	Density <small>(indicative information)</small>	>1000	kg/m ³
EN 319	Internal bond	1.8	N/mm ²
EN 310	Bending strength	50	N/mm ²
EN 310	Modulus of elasticity	5000	N/mm ²
EN 317	Thickness swelling in 24h	7	%
EN 318	Dimensional stability. Length / Width	0.4	%
EN 318	Dimensional stability. Thickness	6	%
EN 311	Surface soudness	1.7	N/mm ²
EN 382-1	Surface absorption (both sides)	>150	mm
EN 322	Moisture content	7±3	%
ISO 3340	Silica content	<0.05	% by weight
EN 120	Formaldehyde content	≤8 (E1 Class)	mg/100 g
EN 13329	Edge swelling	15	%
EN 13986:2004	Reaction to fire (*)	D-s2, d2 (*)	Euroclass
EN 321/ EN 317	Accelerated aging test (opt. 1) Swelling after cyclic test (V313)	12	%
EN 321 / EN 319	Accelerated aging test (opt.1) Internal bond after cyclic test (V313)	0.40	N/mm ²
EN 1087-1 EN 319	Accelerated aging test (opt.2) Internal traction after cooking test (V100)	0.20	N/mm ²
TOLERANCE IN NOMINAL DIMENSIONS			
EN 324-1	Thickness	± 0.20	mm
EN 324-1	Length and width	+/- 2 mm/m max 5 mm	mm
EN 324-2	Squareness	± 2	mm/m
EN 324-2	Edge straightness	± 1.5	mm/m

(*) For confined air gap or outdoor air gap below or equal to 22mm behind the COMPAC PLUS ≥9 mm. E classification for any other use / thickness condition. According to decision 2007/348/EC.

These physical and mechanical values meet/improve the values set forth under European Standard EN 622-5:2009, Table 4. Requirements for general-purpose boards in humid environments (Type MDF.H). COMPAC PLUS meets the Class E1 requirements (analyzed according to Standard EN 120) set forth under European Standard EN 622-1:2003.

COMPACMEL PLUS

DOWNLOAD
THE COMPLETE
TECHNICAL DATA SHEET



TEST	PROPERTY	THICKNESS (mm)		UNITS
		12 - 19	>1000	
EN 323	Density <small>(indicative information)</small>		>1000	kg/m ³
EN 319	Internal bond		1.8	N/mm ²
EN 310	Bending strength		50	N/mm ²
EN 310	Modulus of elasticity		5000	N/mm ²
EN 317	Thickness swelling in 24h		7	%
EN 318	Dimensional stability. Length / Width		0.4	%
EN 318	Dimensional stability. Thickness		6	%
EN 311	Surface soudness		1.7	N/mm ²
EN 322	Moisture content		7±3	%
ISO 3340	Silica content		<0.05	% by weight
EN 717-2	Formaldehyde emission		≤ 3,5 (E1 Class)	mg/m ² h
EN 13329	Edge swelling		10	%
EN 13986:2004	Reaction to fire (*)		D-s2, d2 (*)	Euroclass
EN 321/ EN 317	Accelerated aging test (opt. 1) Swelling after cyclic test (V313)		2	%
EN 321 / EN 319	Accelerated aging test (opt.1) Internal bond after cyclic test (V313)		0.60	N/mm ²
EN 1087-1 EN 319	Accelerated aging test (opt.2) Internal traction after cooking test (V100)		0.20	N/mm ²
TOLERANCE IN NOMINAL DIMENSIONS				
EN 324-1	Thickness		± 0.30	mm
EN 324-1	Length and width		+/- 2 mm/m max 5 mm	mm
EN 324-2	Squareness		± 2	mm/m
EN 324-2	Edge straightness		± 1.5	mm/m
COATING				
UNE-EN 14323	Resistance to scratching		≥2	n
UNE-EN 14323	Resistance to cracking		4	degree
UNE-EN 14323	Resistance to staining (group 3)		4	degree
UNE-EN 14323	Resistance to dry heat		4	degree
UNE-EN 14323	Resistance to impact		1500	mm
VISUAL DEFECTS				
UNE-EN 14323	Edge damage		≤10 (**) ≤3 (***)	mm/m
UNE-EN 14323	Visual defects. Points		≤2	mm ² /m ²
UNE-EN 14323	Visual defects. Scratches		≤20	mm/m ²
	Abrasion resistance	Class	IP number of turns	WR number of turns
UNE-EN 14323	Abrasion resistance. Designs (inc. metallic)	1	<50	<150
UNE-EN 14323	Abrasion resistance. Solid colours	3A	>150	>350

(*) For confined air gap or outdoor air gap below or equal to 22mm behind the COMPACMEL PLUS ≥9 mm. E classification for any other use / thickness condition. According to decision 2007/348/EC.

(**) Commercial dimensions. (***) Boards cut to size.

These physical and mechanical values meet/improve the values set forth under European Standard EN 622-5:2009, Table 4. Requirements for general-purpose boards in humid environments (Type MDF.H). COMPACMEL PLUS meets the Class E1 requirements (analyzed according to Standard EN 120) set forth under European Standard EN 622-1:2003.

STANDARDS AND CERTIFICATIONS



ANTIBACTERIAL MARKING

Antibacterial surface according to ISO Standard 22196: 2011 certifying that the product offers benefits that inhibit the growth and development of bacteria.



FIRE-RETARDANT BOARD

European Standard EN 13501-1
"Classification based on fire performance of construction products and building elements."



MOISTURE RESISTANT BOARD

European Standard EN 622-5.
Requirements for general-purpose boards in humid environments.

CE



CE Mark in accordance with European Standard EN 13986 certified by AENOR.

ENVIRONMENTAL CERTIFICATIONS



FSC® certification guarantees the consumer that forest products come from rationally-managed forests, according to the Principles and Criteria of the Forest Stewardship Council.

For more info: www.fsc-spain.org



Forest Management Certificate PEFC/1435-00006. PEFC is an independent, non-governmental and non-profit entity whose aim is to promote sustainable forest management worldwide.

For more info: www.pefc.org

CERTIFICATION



The CompacMel Plus surface has been certified by an external laboratory, the IMSL (Industrial Microbiological Services) in the UK, following the procedures outlined by ISO 22196: 2011, which confirms that the performance of CompacMel Plus inhibits the growth and development of bacteria, without affecting its coating features.

Tested with the following bacteria:

- *S. aureus*, which can produce a large variety of diseases, ranging from skin and mucous infections, to life-threatening diseases such as meningitis, pneumonia, etc.
- *E. coli*, which can cause diarrhea and serious intestinal issues.

ANALYSIS CERTIFICATE

CERTIFICATE NO. 1023308.1E-1

IMSL
Industrial Microbiological Services (UK)
www.imsl-uk.com

Method: Calculation of antibacterial activity by using ISO 22196: 2011

RESULTS (AS CFU CM-2)

SAMPLE

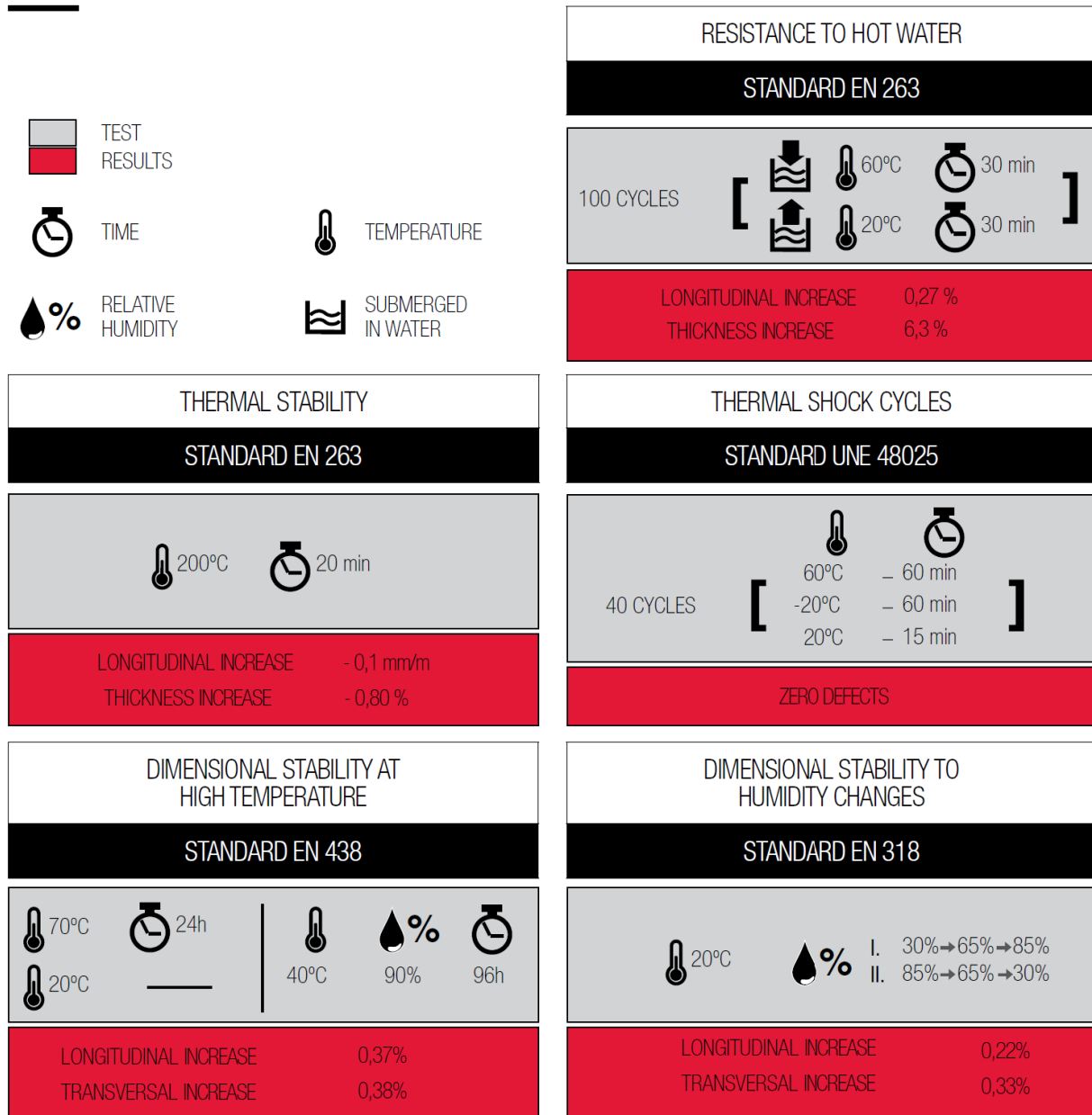
		CONTACT	TIME	REDUCTION	LOG % DIFFERENCE
COMPACMEL PLUS	<i>E. Coli</i>	1.7E+04	≤ 1.0	≥ 4.2	> 99.99%
	<i>S. aureus</i>	2.0E+04	≤ 1.0	≥ 4.3	> 99.99%

The above data show the difference between the initial and final bacterial populations after contact with sample surfaces, referenced for 24 hours at 35 °C, at a relative humidity of 95%.

FEATURED DATA

In tests conducted by AIDIMA, the product's resistance to changing temperature and humidity conditions was assessed.

The following tests were conducted, whose results are shown below:



A2. BLACK NYLON ACCESSORIES

COAT HOOK



HINGES



DOOR KNOB



DOOR LOCK



LEGS



T51A HINGE

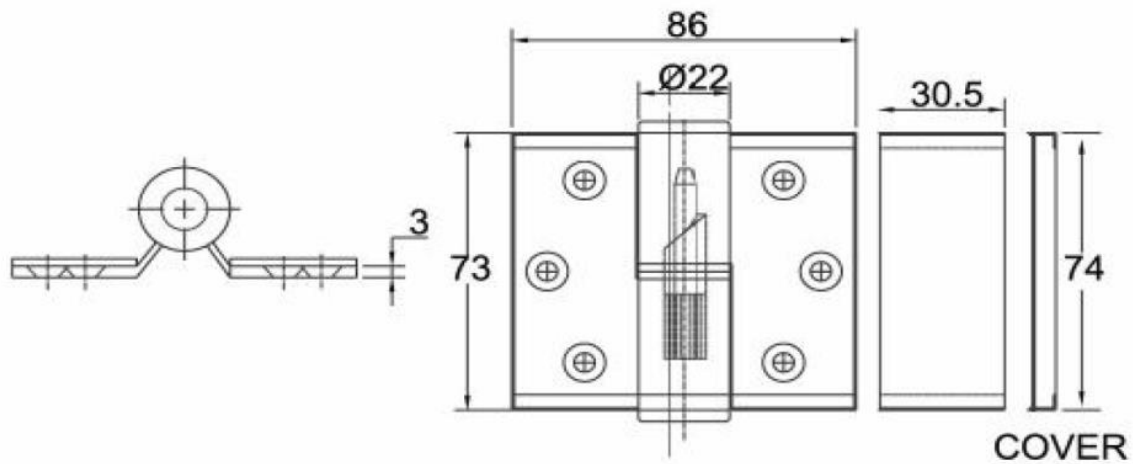


Material: Stainless Steel 304 x 3t

Finished: Hairline

Use For 20~35 kgs

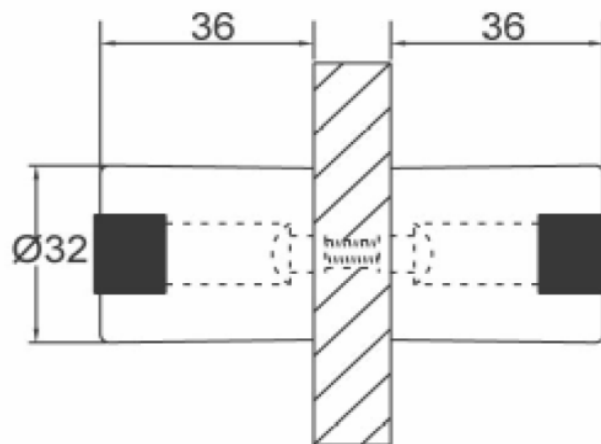
- WITH SCREW & COVER
- CAN BE ADJUSTABLE DEGREE



S325 DOOR KNOB



Material: Stainless Steel 304
Lost Wax Casting



A206C

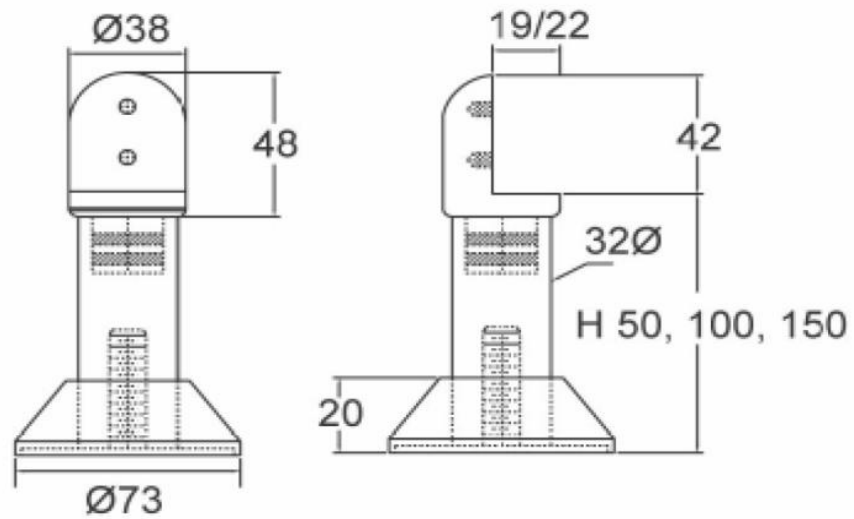


Material: Aluminum 6063 x 32Ø

Finished: Anodize

Plastic Cover or S/S Cover

Height: 5, 10, 15, 20 cm or Special Size



S400 COAT HOOK

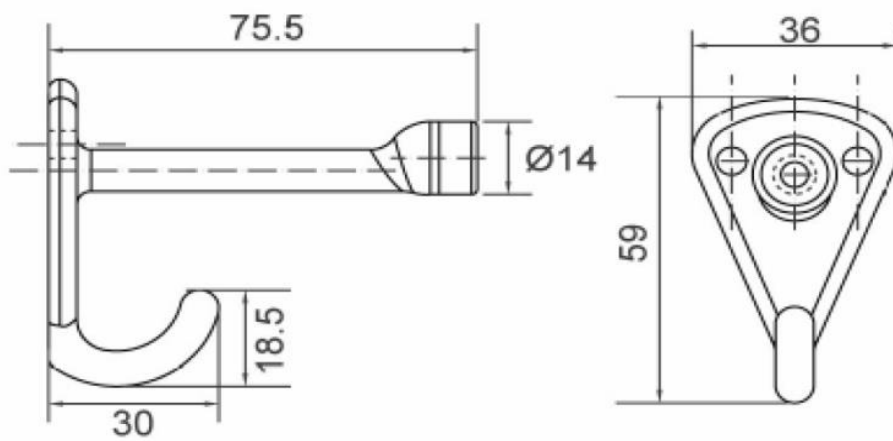


Material: Stainless Steel 304

Lost Wax Casting

Finished: Vibration

- WITHOUT SCREW



326 TURN LOCK INDICATOR

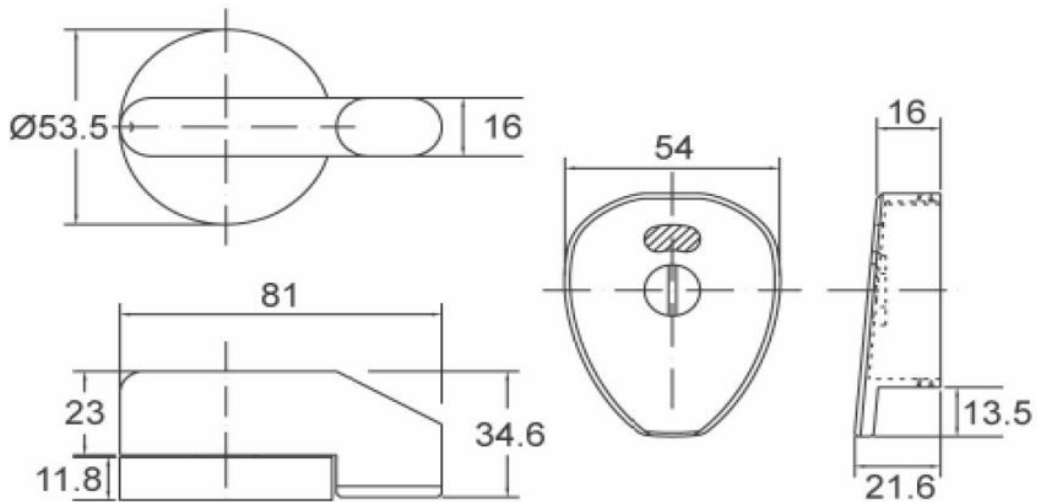


Material: Stainless Steel 304

Stainless Steel 316

Lost Wax Casting

- CAN BE STOP POSITION 0°, 90° & 180°



Material & Engineering Laboratory-Taipei

TEST REPORT



Report No. : HK-15-03750Z

Page : 1 OF 1

Date : August 13, 2015

CLIENT: MAGHIN CO., LTD.
 ADDRESS: NO.58 LANE 1, SEC 1, SAN-MING RD., PAN-CHIAO, NEW TAIPEI CITY TAIWAN
 SAMPLE NAME: Stainless Steel Plate×6PCS.
 SAMPLE SUBMITTED BY: MAGHIN CO., LTD.
 DATE OF SAMPLE RECEIVED: August 05, 2015
 DATE OF TESTING: August 05, 2015~August 13, 2015
 PRODUCT SPECIFICATION: CNS 8499(2005) TYPE 304
 TEST METHOD: CNS 10006(1984)
 REMARK: The information mentioned in the above section is provided by Client (Exclude Date of Sample Received and Date of Testing)

Test Result:

Composition(%)	C	Si	Mn	P	S	Ni	Cr
Stainless Steel Plate (0.8t)	0.04	0.37	1.32	0.035	<0.0026	7.90	18.34
Stainless Steel Plate (1.2t)	0.04	0.49	1.24	0.031	<0.0026	7.88	18.03
Stainless Steel Plate (1.5t)	0.05	0.40	0.96	0.031	<0.0026	8.14	18.02
Stainless Steel Plate (2.0t)	0.05	0.40	0.95	0.030	<0.0026	8.13	17.96
Stainless Steel Plate (2.5t)	0.04	0.51	0.98	0.034	<0.0026	7.92	17.97
Stainless Steel Plate (3.0t)	0.04	0.47	1.01	0.032	<0.0026	7.99	18.15
★Spec.(304)	0.09 Max.	1.05 Max.	2.04 Max.	0.045 Max.	0.035 Max.	7.85 ~10.65	17.80 ~20.20

★Conform to applicable requirements specified in specification CNS 3158

----- oOo -----

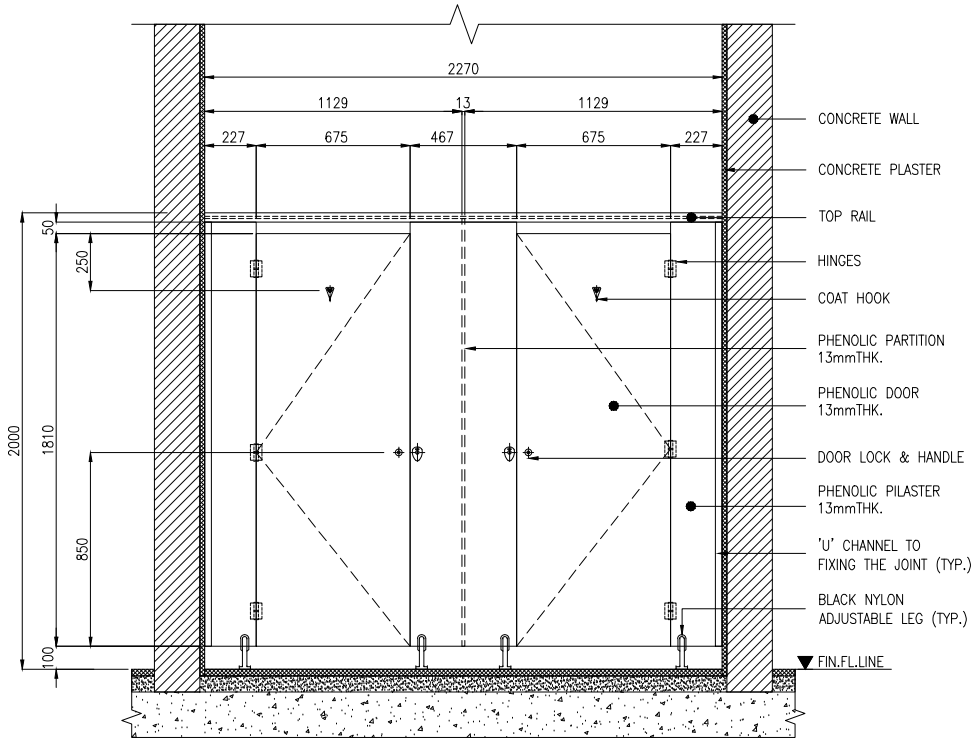
The value of required specifications are for reference only.
 Conformity judgement is the Applicant's final verdict.

Day Tony
 Signed for and on behalf of
 SGS TAIWAN Ltd.

This document is issued by the Company subject to its General Conditions of Service printed overleaf, available on request or accessible at <http://www.sgs.com/en/Terms-and-Conditions.aspx> and, for electronic format documents, subject to Terms and Conditions for Electronic Documents at <http://www.sgs.com/en/Terms-and-Conditions/Terms-e-Documents.aspx>. Attention is drawn to the limitation of liability, indemnification and jurisdiction issues defined therein. Any holder of this document is advised that information contained hereon reflects the Company's findings at the time of its intervention only and within the limits of Client's instructions, if any. The Company's sole responsibility is to its Client and this document does not exonerate parties to a transaction from exercising all their rights and obligations under the transaction documents. This document cannot be reproduced except in full, without prior written approval of the Company. Any unauthorized alteration, forgery or falsification of the content or appearance of this document is unlawful and offenders may be prosecuted to the fullest extent of the law. Unless otherwise stated the results shown in this test report refer only to the sample(s) tested.

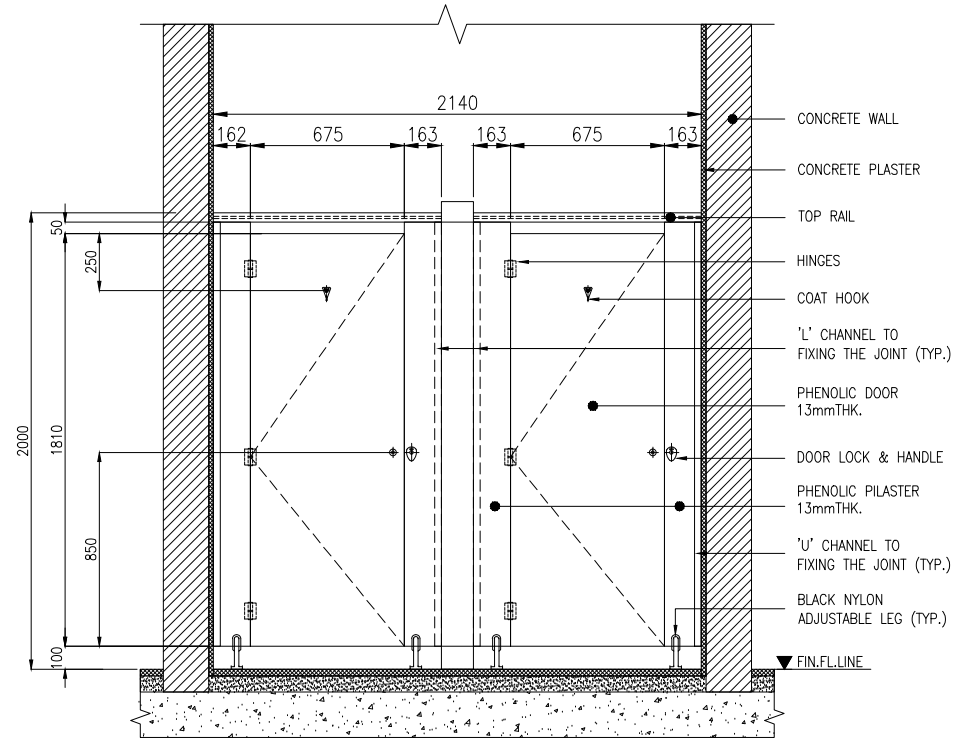
SAMPLE DRAWINGS

CUBICLE TOILET



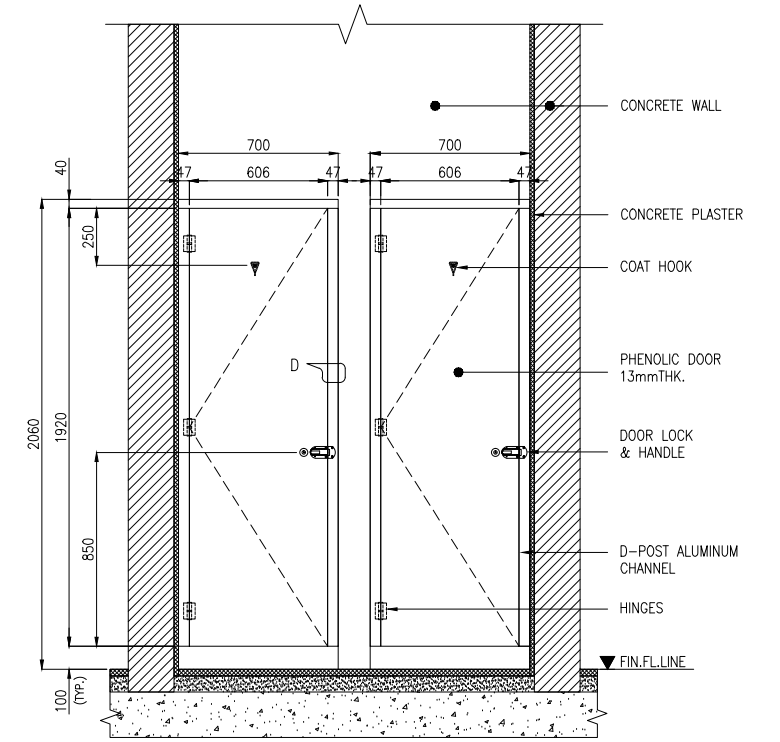
SECTION
SCALE: NTS

ZM - DOORS

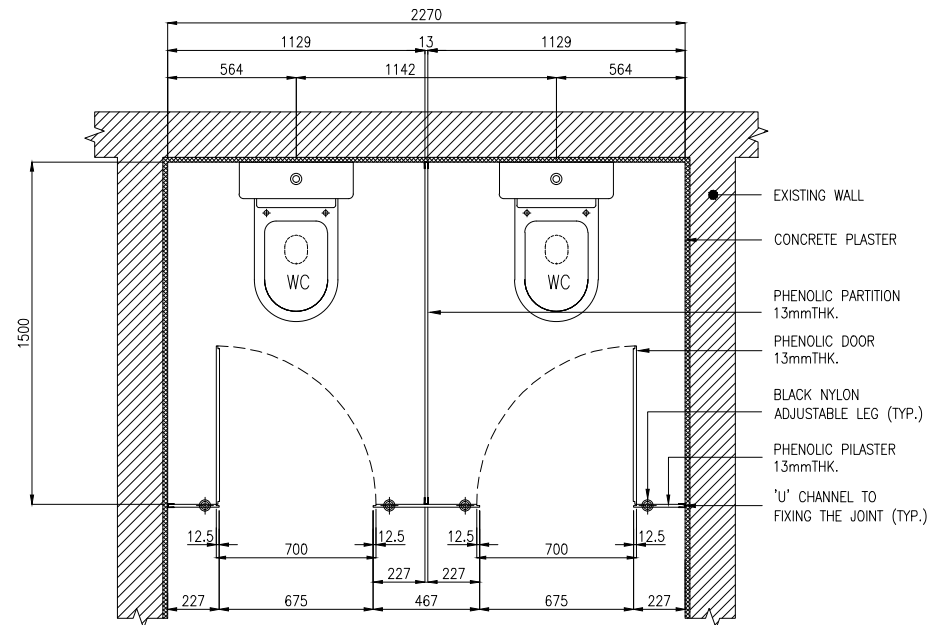


SECTION
SCALE: NTS

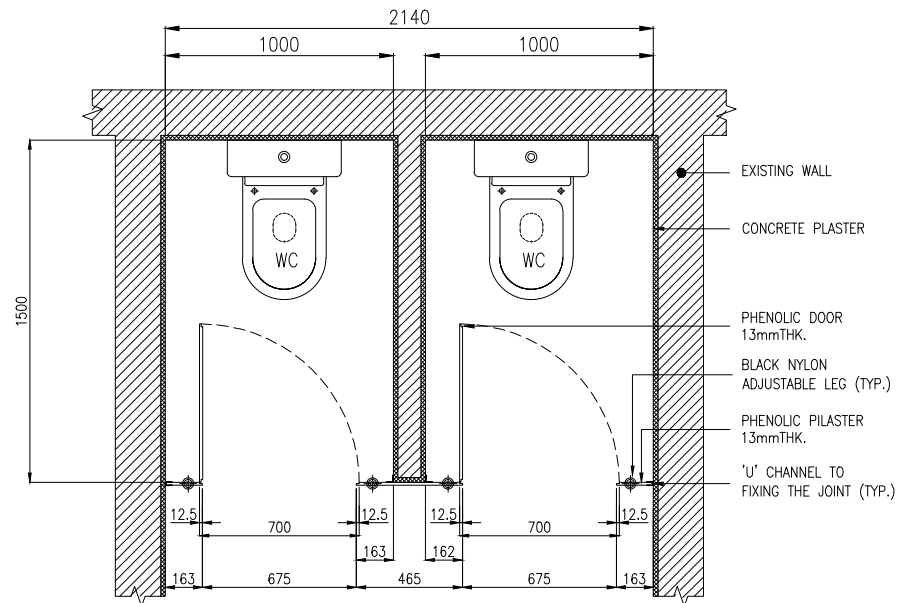
D- POST DOORS



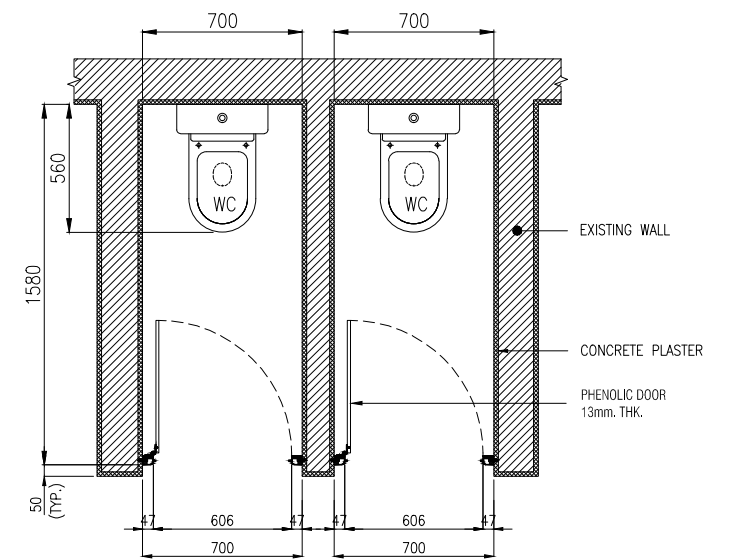
SECTION
SCALE: NTS



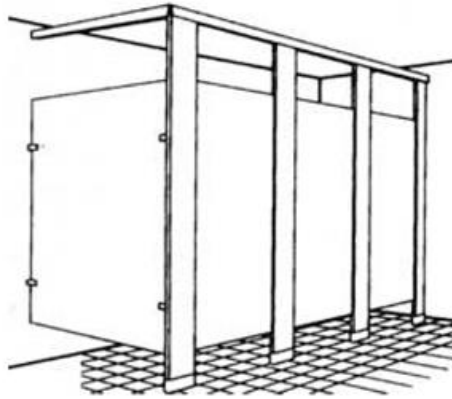
PLAN
SCALE: NTS



PLAN
SCALE: NTS



PLAN
SCALE: NTS



GYPTECH PARTITIONS guarantees that the restroom partitions shall be fabricated in accordance with approved drawings and specifications.

GYPTECH PARTITIONS guarantees its solid phenolic core toilet partitions & stainless steel hardware accessories,

Properly maintained, against breakage, corrosion, and delamination for **10 YEARS** from the date of receipt by the customer. If material is found defective during that period,

The material shall be replaced free of charge.

No credits or allowances shall be issued for any labor or under the warranty plan.

This warranty shall not be applicable if vandalism or improper cleaning/maintenance of partitions has contributed as just cause for partition failure.

C. Sample Pictures



Project References






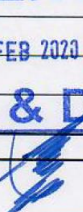


Listed below are a few of the project completed successfully by Gyptech.
Details for any of the project is available upon request.

1. KFUPM Student Accomadation , 596 Units
Sub Contracted to Gyptech by Al Khodari Contracting
2. KFUPM Student Housing III & IV Dammam, 1266 Units
Sub Contracted to Gyptech by Al Yammama Contracting
3. KFUPM Student Housing, 250 Units
Sub Contracted to Gyptech by PITCO Contracting
4. Mouwasat Hospital Dammam, 600 Units
Sub Contracted to Gyptech by Al Swayeh Contracting
5. Ministry of Defense Riyadh, 20 Units
Sub Contracted to Gyptech by Rashid Contracting
6. Rashid Avenue & Rashid Mall, 150 Units
Sub Contracted to Gyptech by Rashid Contracting
7. King Fahad Hospital, 50 Units
Sub Contracted to Gyptech by Bader Contracting

The following institutions give continuous ongoing Renovation Jobs Ranging from 1 to 30 Units, detail can be provided upon request.

1. Saudi Aramco (Dhahran, Abqaia, Rastanura, Udaliyah)
2. Royal Commission Jubail
3. SABIC Jubail
4. SWCC Rastanura

D.APPROVALS:

	SOUTH DHAHRAN HOME OWNERSHIP PROJECT Sample Transmittal Form (ST)													
TR #: 01-16-00014-ST-000-0017	Rev. #: 00	Date: 24-Feb-20												
Contractor: Ashi and Bushnag Co. Ltd Contract Title: SDHO Private School Contract No.: 6600042949 To: Saudi Aramco Atten.: Mr TURKI A. BAKHAIDER		<table border="1" style="width:100%; border-collapse: collapse;"> <tr> <th>SUBMITTED</th> <th>CODE</th> <th>ACTION</th> <th>CODE</th> </tr> <tr> <td>FOR ACTION</td> <td>1</td> <td>NO OBJECTION</td> <td>A</td> </tr> <tr> <td>FOR INFORMATION</td> <td>2</td> <td>NO OBJECTION AS NOTED REVISE AND RESUBMIT REJECTED</td> <td>B C D</td> </tr> </table>	SUBMITTED	CODE	ACTION	CODE	FOR ACTION	1	NO OBJECTION	A	FOR INFORMATION	2	NO OBJECTION AS NOTED REVISE AND RESUBMIT REJECTED	B C D
SUBMITTED	CODE	ACTION	CODE											
FOR ACTION	1	NO OBJECTION	A											
FOR INFORMATION	2	NO OBJECTION AS NOTED REVISE AND RESUBMIT REJECTED	B C D											
WE ARE SENDING HERE WITH THE DRAWING / DOCUMENTS LISTED BELOW. (DELETE AS NECESSARY)														
ITEM	QTY.	Dwgs., Specs. or BOQ Ref.	DOCUMENT / DRAWING NO.	DESCRIPTION	TYPE OF SUB*	DISCIPL**	SUBMIT. FOR	ACTION						
1	1		MTS No.:ABC-A18-PS-MTS-172/ Rev.00	Request for Sample Approval of PHENOLIC PARTITION		AR	1	A						
														
Only one subject is allowed to be submitted under this transmittal														
FOR CONTRACTOR:		Project Manager			Name:		Signature:		Date:					
		AHMED FAROUK							24-Feb-20					
*Type of Submittal:		60=60% Design Drawings	90=90% Design Drawings	IFC=Issue for Const.	SD=Shop Drawing	TE=Technical	GT=Guarantee							
		TT=Test	MD=Mft's Dats	CA=Calculations	SP=Specification	CI=Catalogues	Other: _____							
**Discipline:		AR = Arch.	ME = Mech.	ST = Structural	EL = Elect./Telecom	IS = Infra.	LD = Landscape	HSE QA/QC PCS PR=Proc. CN=Contractual Others: _____						
Reviewed for General Acceptance. This review does not relieve the Contractor of his responsibility for making the work conform to the requirements of the Contract														
Reply and Comments if Any:														
<p style="font-size: 2em; color: blue;">Approved</p>														
Correction or comments made relative to submittals during this review DO NOT relieve the contractor from compliance with the requirements of drawings and specifications. This check is only for review of general conformance with design concept of the project.														
<input type="checkbox"/> SAPMT Name:		<input type="checkbox"/> PMT/CMT  Kasma Bader			Signature:		 Mohammed Karim		Date:					
							March, 2020 03/07/2020							
Distribution:		<input checked="" type="checkbox"/> SAPMT	<input type="checkbox"/> PMT	<input type="checkbox"/> PMT/CMT	<input type="checkbox"/> Other									



MATERIAL SAMPLE APPROVAL FORM

Sample Transmittal Number	01-16-00014-ST-000-0017
Sample Submittal Date	24 th February 2020
Project Name	SDHO Private School
Project Number	6600042949
Material Number Code	PHEN-01
Material Description	PHENOLIC PARTITION
MTS / MR Reference Number	ABC-A18-PS-MTS-0172/ Rev.00
Manufacturer Name	FINSA, Spain



Vendor Details	Vendor Name	GYPTECH, Building Technology Co. Ltd.
	Vendor Contact Person	MASOOD SIDDIQUI
	Vendor Contact Details	Tel No: + 012 6355666 Ext. 273 Dammam +013 808 2954
	Vendor E-Mail Address	Email: brcsales@brc.com.sa

Approved by:	MR. MOHAMMED ZAKY Procurement Manager 	MR. AHMED FAROUK Project Manager 	Date: 24/02/2020
	Sign:	Sign:	

SAUDI ARAMCO APPROVAL

A - No Objection
 B - No Objection as Noted
 C - Revise and Resubmit
 D - Rejected

Reviewed by:		Date: March 12, 2020
SAPMT		



MATERIAL TECHNICAL SUBMITTAL



To: Saudi Arabian Oil Company (Saudi Aramco) South Dhahran Home Ownership Projects Elementary Schools, KG and Special Needs School		B.I. No. : 28-00014-0002 Contract No. : 6600036438		No. of Copy : 2 Spec. Ref. : 10 21 13 Section No. : 2.3 & 2.4 B Drawing Ref. : HA-031119001 App. Standard : N/A		Submittal Code A <input checked="" type="checkbox"/> Architectural C <input type="checkbox"/> Civil S <input type="checkbox"/> Structural M <input type="checkbox"/> Mechanical E <input type="checkbox"/> Electrical I <input type="checkbox"/> Telecommunication O <input type="checkbox"/> Others	
Attn: Mr. Pierre G. Bechara Dib Company Representative		Project Title : Elementary Schools, KG and Special Needs Location : South Dhahran, Kingdom of Saudi Arabia Saudi Aramco Dummy Purchase Order No. : SHIK-A18-05-A152-D1		Test/Certificate <input checked="" type="checkbox"/> Other <input checked="" type="checkbox"/>		Inspection Level N/A	
From: Branch of Sinohydro Corporation Company Ltd. P.O. Box 65688, Riyadh, 12311, Kingdom of Saudi Arabia Tel: +966 11 803 0338 Fax: +966 11 462 2565		Attachments Data/Catalogue <input checked="" type="checkbox"/> Sample <input checked="" type="checkbox"/>		Inspection Level N/A		Inspection Level N/A	
Rev. No. : 0 Date : 2017-04-05		Manufacturer & Vendor Information Manufacturer: Frinsa Manufacturer Plant I.D.: N/A Vendor Details: Gyptech Vendor Address Details: Arshad M. Kamal Technical Sales Manager P.O. Box 2668, Al-Khobar Dammam KSA Tel: +966 13 867 0077 Fax: +966 13 867 0099 E-mail: arshadkama@gyptech.com.sa		Test/Certificate <input checked="" type="checkbox"/> Other <input checked="" type="checkbox"/>		Inspection Level N/A	
New Submittal <input checked="" type="checkbox"/> Re-submittal <input type="checkbox"/>		Material Description Partition; Toilet System; Cubicle; A.1 Solid Phenolic Board ; Size : 3660 mm x 1830 mm 2440 mm x 1830 mm , 1220 mm x 2440 mm A.2 Thickness: 13mm , 19 mm A.3 Shoes ; Material : Stainless Steel Height : 10 cm , 15 cm A.4 Head Rail ; Material : Aluminium B Stainless Steel Hardware and Fiting Accessories for solid Phenolic Toilet Partition Purpose: Toilet Partition		Manufacturer & Vendor Information Manufacturer: Frinsa Manufacturer Plant I.D.: N/A Vendor Details: Gyptech Vendor Address Details: Arshad M. Kamal Technical Sales Manager P.O. Box 2668, Al-Khobar Dammam KSA Tel: +966 13 867 0077 Fax: +966 13 867 0099 E-mail: arshadkama@gyptech.com.sa		Inspection Level N/A	
S.N.		9COM		(For Saudi Aramco Use Only) Review/Comments/Approval/Action PROVIDE SAMPLES FOR FINISHES SELECTION. 45		Inspection Level N/A	
Reviewed by: Mr. Muhammad Asif Muhammad Akhtar Procurement Quality Control Supervisor Date: 27/4/2017		Reviewed by: Mr. Talal N Khan Engineering Manager Date: Apr. 25. 2017		Reviewed by: Material Specialist 5/11/17 Date: 5/11/17		Reviewed by: Senior Project Engineer VIDSAIR 5/11/17 Date: 05/3/17	
Reviewed by: Mr. Aynul Islam Quality Assurance Manager Date: 25/4/17		Reviewed by: Mr. Chang Zhihua Project Manager Date: Apr. 25. 2017		Reviewed by: Senior Project Engineer VIDSAIR 5/11/17 Date: 05/3/17		Reviewed by: Senior Project Engineer VIDSAIR 5/11/17 Date: 05/3/17	
Reviewed by: Mr. Pierre G. Bechara Dib Company Representative Date: 5/11/17		Reviewed by: Mr. Pierre G. Bechara Dib Company Representative Date: 5/11/17		Reviewed by: Senior Project Engineer VIDSAIR 5/11/17 Date: 05/3/17		Reviewed by: Senior Project Engineer VIDSAIR 5/11/17 Date: 05/3/17	



Royal Commission for Jubail and Yanbu
 Directorate General of the Royal Commission in Jubail
Construction Department
RC TRANSMITTAL

RE: **Farrand. Daniel R.**

PLEASE ACKNOWLEDGE RECEIPT AND RETURN IMMEDIATELY

DATE: 12-Oct-19

Document Type:	Code:	
<input checked="" type="checkbox"/> Material Approval	CMA	Technical
<input checked="" type="checkbox"/> CV/Resume	Y0UI	Non-Technical

Contract No: **627-C22**

RC Transmittal No: **T-081**

ATTENTION SUPPLIERS: ALL FINAL DRAWINGS SUBMITTED TO THE ROYAL COMMISSION MUST BE IN GOOD QUALITY MYLAR

Document No.	Rev. No	Description/Title	*Action/Code	Action /Code	Reference	
					Trans No	Date Received
IS						
02-009-00	0	Material Submittal Interlock Paving Blocks (200x100x60cm) (MAZ)	2	CMA	373	9/30/2019
10-001-00	0	Material Submittal Phenolic Door (Gyptech)	2	CMA	368	9/29/2019
16-035-00	0	Material Submittal Telecom Perforated Cable Tray & Under Floor Trunking Trunking With Fittings & Accessories (SFSP-MK Electric)	1	CMA	369	9/29/2019
16-036-00	0	Material Submittal Disconnect Switches (GE & ABB)	3	CMA	370	9/29/2019
NTS						
01-111-00	0	Proposed Key Personnel Resume For Civil Superintendent (Ahmed Ibrahim)	3	Y0UI	367	9/29/2019
01-112-00	0	Proposed Key Personnel Resume For Safety Officer (Shaikh Maaz Mustafa)	2	Y0UI	372	9/29/2019

Total Items: **6**

TO:

Date: _____

Mr. Maqsood Ahmed
 Project Manager
 Mesmack Construction & Development Co. Ltd.

FROM:



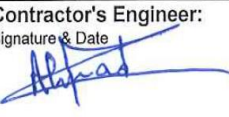

Edreesm
 Digitally signed by Edreesm
 DN: cn=Edreesm, o, ou,
 email=Edreesm@RcJubail.gov.sa,
 c=s-
 Date: 2019.10.12 08:30:46 +03'00' Date: 12-Oct-19

SIGNATURE

CONSTRUCTION / PDMC DEPARTMENT
 RCB LEVEL 1/Ras Al-Khair Office

KINDLY SIGN AND RETURN THE ORIGINAL FORM TO THE ROYAL COMMISSION

Processed By: **IDREES**

The Employer	PMC	The Engineer	The Contractor
			
Material Submittal (MS)			Ref. No: SDEH-CPSCC-ARC-MS-00015
			Rev. No: 1
			Date: 18-Dec-2019
Project Name:	SIEMENS – PS RELOCATION TO SDEH		JOB NO: J-CPSC-234
LOCATION:	Dammam 2nd Industrial City		
TO: COSMOS/ MACE		FROM: CONSTRUCTION PROJECTS SPECIALISTS CONTRACTING CO. LTD.	
Urgency Level	<input checked="" type="checkbox"/> High <input type="checkbox"/> Medium <input type="checkbox"/> Low		
Originator of Submittal :	ARCHITECTURAL WORK		List of Enclosure
Discipline :	ARCHITECTURAL WORK		<input checked="" type="checkbox"/> Vendor's Technical Literature
Specs/BOQ/Drg. Ref. :	• SPECS - DU1313 SIEMENS Dammam Energy Hub PS Tooling Centre Phase 2 - Architectural & Structural		<input type="checkbox"/> Compliance Statement
	• BOQ - Bill No. 2 - Admin Bldg - DIVISION 09 - FINISHES • BOQ - Bill No. 3 - Prod Bldg - DIVISION 09 - FINISHES		
	• DWG - DU1313 - IFC Drawings		
Material Proposed :	HPL Toilet Partitions & Urinal Screens		<input type="checkbox"/> Test Result
Manufacturer/ Supplier	GYPTECH		<input type="checkbox"/> Copy of Related Spec.
Reason for Alternative	N/A		<input checked="" type="checkbox"/> Others(Product Catalog/ Sample)
Material Description			
HPL Toilet Partitions & Urinal Screens (Location to be use: Toilet in AB/PB)			
SUPPLIER: GYPTECH			
Contractor's Engineer: Signature & Date		Received By Consultant: Signature & Date	
			
Review Status			
A. -----	APPROVED	B. -----	APPROVED AS NOTED
C. -----	NOT APPROVED/ REVISE & RESUBMIT		
Engineer's Consultant Comments			
Consultant's Engineer: Signature & Date		Received By Contracor: Signature & Date	
Engr. Ahmed Al Desouky			



MATERIAL SUBMITTAL

TRADE : ARCHITECTURAL			Submittal No.: 106-DUAS-SM-M-CV-CNS-O-16	Revisors No. 1
Specs. Code & Ref. Div. 10	B.O.Q. Code Ref. Div. 10	Building No. 106	Date Submitted:	Date Returned: 1-Nov-12

DESCRIPTION			Submitted for :									
PLASTIC LAMINATED TOILET COMPARTMENT (COLOUR CHOSEN) PRIOR TO MOCK-UP SAMPLE			Approval	<input checked="" type="checkbox"/>								
<i>Eng. Rameh</i> <i>3-11-12</i> Company: GYPTech			Information	<input type="checkbox"/>								
			Coordination	<input type="checkbox"/>								
<table border="1"> <thead> <tr> <th>Item no.</th> <th>Required Specification</th> <th>Proposed Specification</th> <th>Compliance</th> </tr> </thead> <tbody> <tr> <td></td> <td>Division 10</td> <td>Division 10</td> <td>COMPLIED</td> </tr> </tbody> </table>			Item no.	Required Specification	Proposed Specification	Compliance		Division 10	Division 10	COMPLIED	Review	<input type="checkbox"/>
			Item no.	Required Specification	Proposed Specification	Compliance						
				Division 10	Division 10	COMPLIED						
						Trade:						
						Structural	<input type="checkbox"/>					
						Architectural	<input checked="" type="checkbox"/>					
						Mechanical / Plumbing	<input type="checkbox"/>					
						Electrical	<input type="checkbox"/>					
						Attachment:			Certificates	<input type="checkbox"/>		
									Technical Brochure	<input type="checkbox"/>		
Manufacturer's Data & Specs.	<input type="checkbox"/>											
						Shop Drawings	<input type="checkbox"/>					
			Sample	<input checked="" type="checkbox"/>								
			Manual	<input type="checkbox"/>								
			Data file	<input type="checkbox"/>								
			As Built Drawings	<input type="checkbox"/>								
			Warranty	<input type="checkbox"/>								
			Others (Specify)	<input type="checkbox"/>								

For Contractor: Submitted by: *Rameh*
Engr. Alsayed Alsharif
Area Technical Manager

Noted by: *Ahmed Saif*
Engr. Ahmed Saif 2012
Project Manager

FOR Consultant USE ONLY: Received by: *IC* 02/11/2012 *W Am*
Name Signature Date

Remarks:
FIVE (5) SAMPLES, DIFFERENT COLORS PLASTIC LAMINATED FOR TOILET CUBICLE - SUBJECT FOR CLIENT'S FINAL APPROVAL
(0-AD-540) *...*

Resident Engineer: Eng. Bakry Malakh
Project Manager
Signature & Date: *14-11-2012*

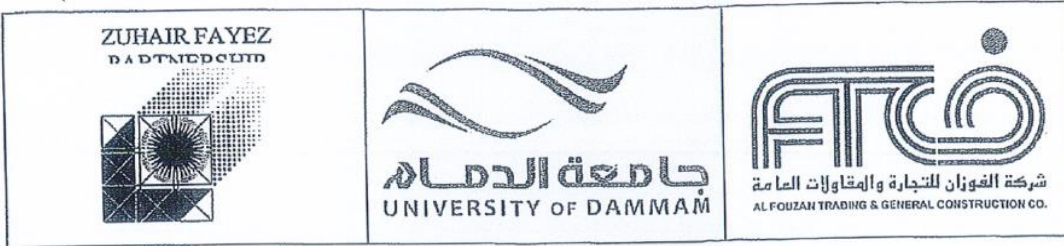
ACTION taken:
Approved
Approved with comments
Approved with comments (Resubmit)
Rejected

Approval, corrections or comments made relative to submittals during this review do not relieve the Contractor from compliance with the requirements of the drawings or specifications. This check is only for review of general performance with the design concept of the project and general compliance with the information given in the Contract documents. The Contractor is responsible for confirming and controlling all quantities and dimensions, selecting fabrication processes and techniques of construction, coordinating his work with that of other trades, and performing his work in a safe, timely, and satisfactory manner.

Distribution: OWNER CONSULTANT CONTRACTOR

Received: *14/11/2012*
Contractor's Signature Date

20/11/2012
...



SUBMITTAL FORM

SUBJECT: TOILET COMPARTMENTS (Technical Data)

Code: 2

Specs. Code & Ref. 10155	B.O.Q. Code Ref. 10155	Drawing No.	Submittal No. FTCO-TD-DUHP-AR-063-REV-6
			Date Received: <u>20 JUN 2013</u>
			Date Returned: <u>8:55</u>

Sub-contractor Name: _____ Address: _____
 Address: _____ Phone: _____ Telex: _____

Manufacturer	Supplier/Agent
Name: <u>FORMICA CORPORATION</u>	Name: <u>GYPTECH</u>
Address: <u>10155 Reading Road, Cincinnati, OH, 45241</u>	Address: <u>P.O. Box 15542 Dammam 31454, K.S.A.</u>
Phone: <u>+1 531 7863578</u>	Phone: <u>+966 3 8670077</u>
Fax: <u>+1 531 7863195</u> Telex: _____	Fax: <u>+966 3 8670099</u> Telex: _____

Information submitted and attached:

- | | |
|--|---|
| Certificates <input checked="" type="checkbox"/> | Operation & Maintenance Manual <input type="checkbox"/> |
| Technical Brochure <input checked="" type="checkbox"/> | Spare Parts List <input type="checkbox"/> |
| Manufacturer's Data & Specs. <input checked="" type="checkbox"/> | As Built Drawings <input type="checkbox"/> |
| Shop Drawings <input type="checkbox"/> | Warranty <input type="checkbox"/> |
| Samples <input type="checkbox"/> | Others (specify) <input type="checkbox"/> |

Contractor's Comments:

See Attachment

Note: This review does not relieve the contractor of his responsibilities under the terms of the contract nor authorize additional compensation.

(Contractor)

Signature:

Date: U

26/06/2013

Consultant's Comments:

The technical data is conditionally acceptable and approved as noted, see attach comments.

See Attachment

Status:	Discipline	Sign & Date	Resident Engineer
Approved 1 <input checked="" type="checkbox"/>	<input checked="" type="checkbox"/> Arch	<u>JAF 18.07.2013</u>	Sign: _____ Date: _____
Approved as noted 2 <input checked="" type="checkbox"/>	<input type="checkbox"/> Civil		
Revise and submit 3 <input type="checkbox"/>	<input type="checkbox"/> Mech		
Rejected 4 <input type="checkbox"/>	<input type="checkbox"/> Elect		
	<input type="checkbox"/> HVAC		
	<input type="checkbox"/> LS		